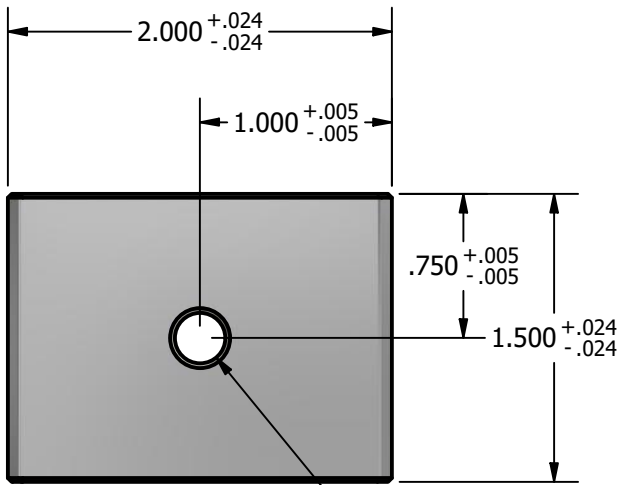


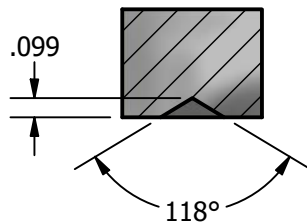
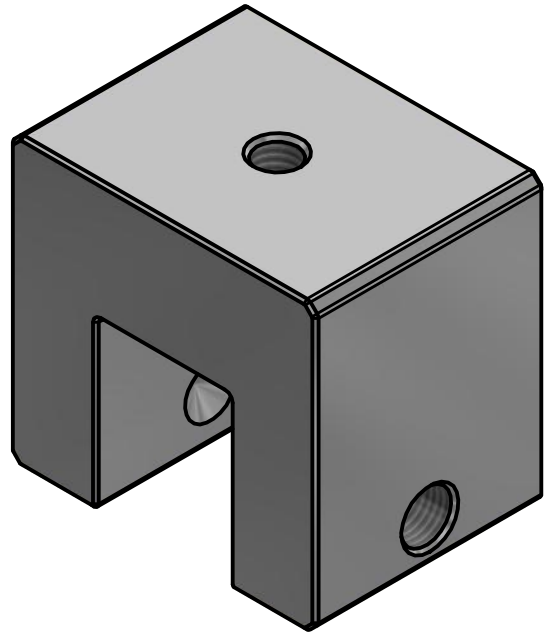
# \*\*\* SCI PRODUCT CUT SHEET \*\*\*

REV-001	APPROVED FOR PRODUCTION 10/29/16

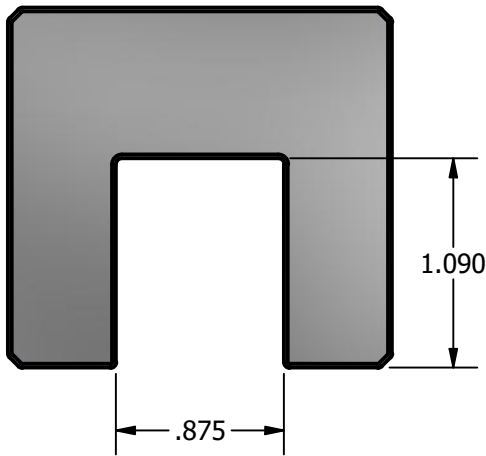


**TOP VIEW**

M8x1.25 - 6H  
 ✓  $\varnothing$ .315 X 82°

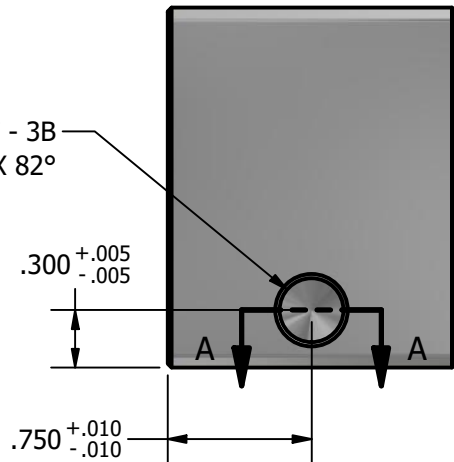


**SECTION A-A**



**FRONT VIEW**

3/8-24 UNF - 3B  
 ✓  $\varnothing$ .375 X 82°



**RIGHT VIEW**

**NOTES:**

1. FOR CLARITY THIS DRAWING IS NOT TO SCALE.
2. CONTACT THE MANUFACTURER FOR RECOMMENDED LAYOUTS, SPACING AND ADDITIONAL DETAILS.
3. INSTALLATION MUST BE COMPLETED WITH THE MANUFACTURERS WRITTEN SPECIFICATIONS AND INSTALLATION INSTRUCTIONS.
4. THESE DRAWINGS ARE SUBJECT TO CHANGE WITHOUT NOTICE.

Mounting systems for solar technology



Everest Solar Systems, LLC, 3809 Ocean Ranch Blvd., Suite 111, Oceanside CA 92056, USA  
 +1 760-301-5300  
 info@everest-solarsystems.com  
 www.everest-solarsystems.com

## POWER CLAMP - MINI - 1SS - EV

DRAWN BY:	rhoeffleur
DATE:	10/29/2016
SCALE:	N.T.S.
MATERIAL:	Aluminum 6061

THE INFORMATION HEREIN IS CONFIDENTIAL AND PROPRIETARY AND IS NOT TO BE DISCLOSED OR DELIVERED TO THIRD PARTIES WITHOUT THE PRIOR WRITTEN CONSENT OF SOLAR CONNECTIONS INTERNATIONAL, INC.