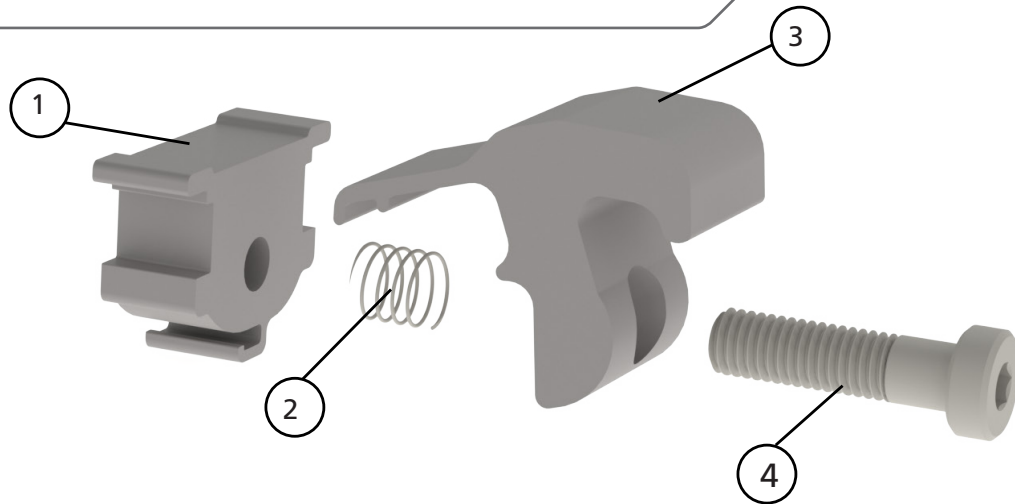




Yeti Clamp

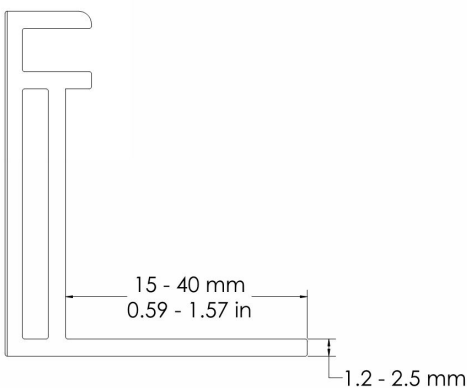


Item No.	Description	Product No.
1	Yeti Clamp Base	Yeti Hidden EC for CR, 4000050
2	Clamp Spring, 20 mm	
3	Yeti Clamp Top	
4	Allen Bolt, M8x30	

Technical data

Yeti Clamp	
Field of application	Applicable with our CrossRail Systems
Fastening type	End Clamp
Material	Aluminum and with stainless steel hardware
Weight	0.15 lbs
Maximum allowable uplift force	CR 48-X and 48-XL: 300 lbs CR 80: 275 lbs
Uplift load	60 and 72 cell modules: approximately 50 psf
Maximum allowable snow loads	70 psf ground snow load
Finish	Mill
Warranty	25 years

Module frame compatibility



Frame Compatibility:
Flange Thickness = 1.2 - 2.5 mm
Flange Width = 15 - 40 mm